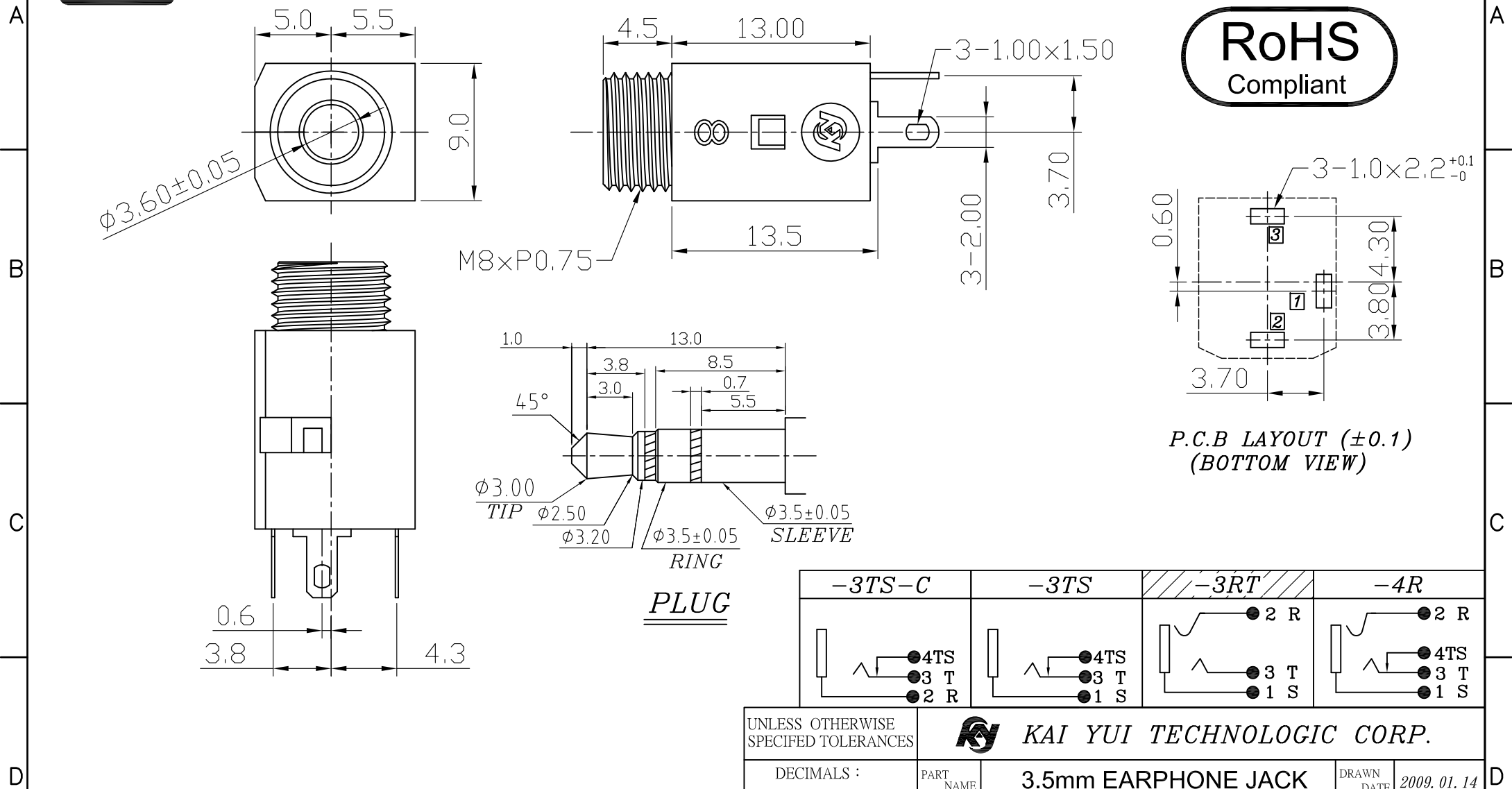


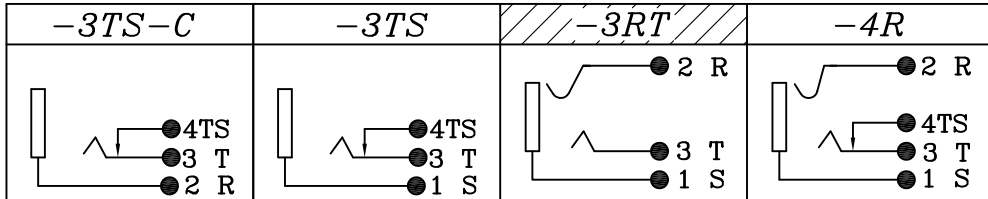
變更記號	變更日期	ECN NO.	REV.	說	明	擔當者
△						

**正式**

**RoHS**  
Compliant



P.C.B LAYOUT ( $\pm 0.1$ )  
(BOTTOM VIEW)



4	HOUSING	1	PBT	BLACK
3	RING	1	P. B. S	Ag
2	TIP	1	P. B. S	Ag
1	SLEEVE	1	P. B. S	Ag
NO	PART NAME	Q' TY	MATERIAL	PLATING & COLOR

UNLESS OTHERWISE SPECIFIED TOLERANCES		<b>KY KAI YUI TECHNOLOGIC CORP.</b>			
DECIMALS :	PART NAME	3.5mm EARPHONE JACK		DRAWN DATE	2009. 01. 14
X : $\pm 0.50$	MATERIAL	PAPT NO : K3J01-□□□		APPROVED	Jacky
X.X : $\pm 0.30$	THICKNESS	SCALE :	SIZE :	UNIT :	CHECKED
X.XX : $\pm 0.15$	PLATED COLOR	3 : 1	A4	mm	Jacky
ANGLES :		REV :	SHEET :	DRAWN	Roy
X° : $\pm 5^\circ$		A	1 of 1		
X.X° : $\pm 3^\circ$					