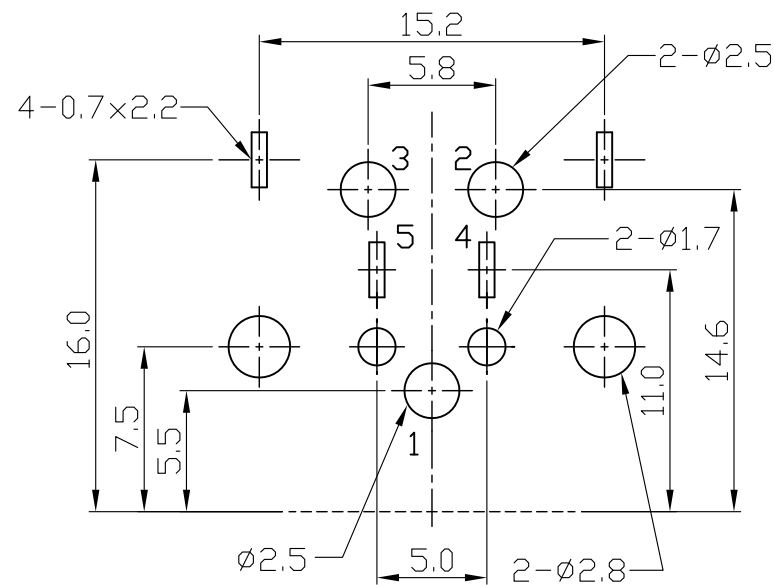
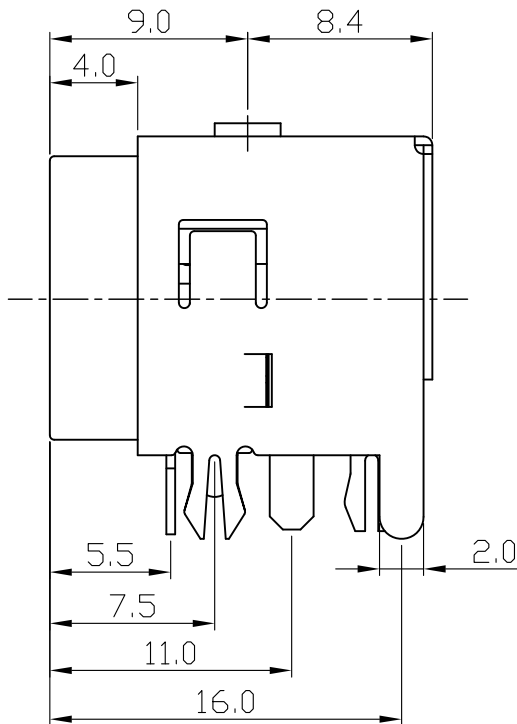
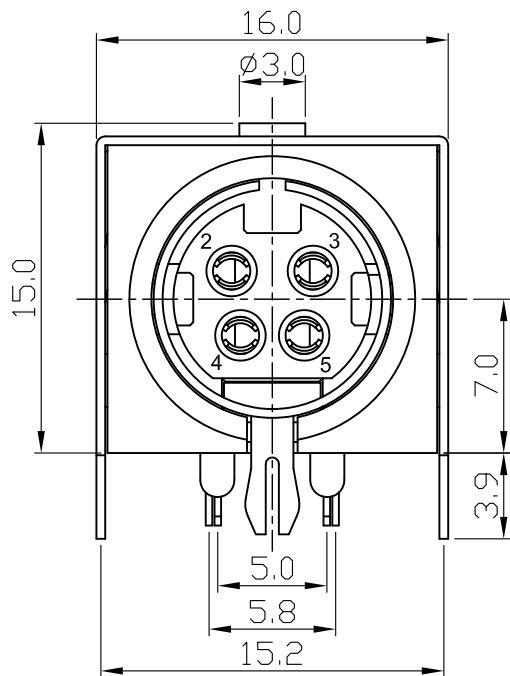


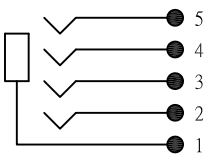
變更記號	變更日期	ECN NO.	REV.	說明	擔當者
△					

正式



P.C.B LAYOUT(±0.1)
(BOTTOM VIEW)

JACK CIRCUIT



RoHS
Compliant

5	HOUSING	1	P.B.T.	BLACK
4	COVER	1	P.B.T.	BLACK
3	SHIELD	1	BRASS	Sn
2	GROUND	1	BRASS	Ni
1	CONTACT	4	BRASS	Sn
NO	PART NAME	QTY	MATERIAL	PLATING & COLOR

UNLESS OTHERWISE SPECIFIED TOLERANCES

DECIMALS :
X : ±0.50
X.X : ±0.30
X.XX : ±0.15

ANGLES :
X° : ±5°
X.X° : ±3°



KAI YUI TECHNOLOGIC CORP.

PART NAME	POWER JACK			DRAWN DATE	2009.06.18
MATERIAL	PAPT NO : KP-01E-4			APPROVED	Jacky
THICKNESS	SCALE : 3 : 1	SIZE : A4	UNIT : mm	CHECKED	Jacky
PLATED COLOR	REV : A	SHEET : 1 of 1	DRAWN	Roy	