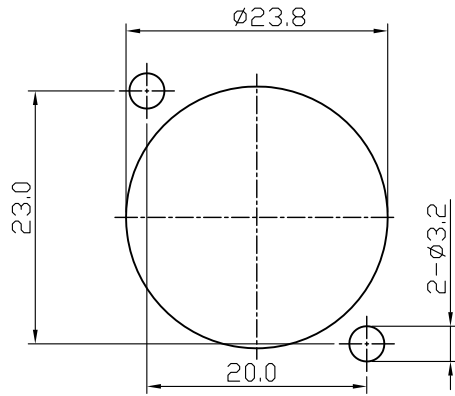


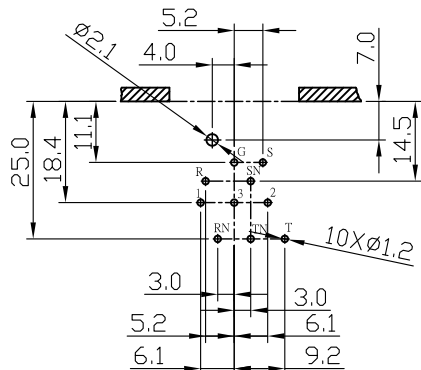
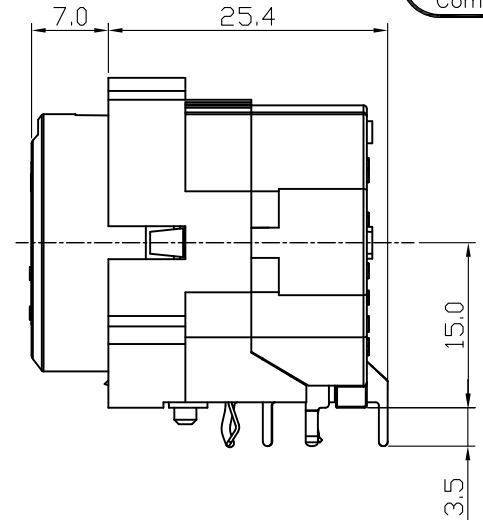
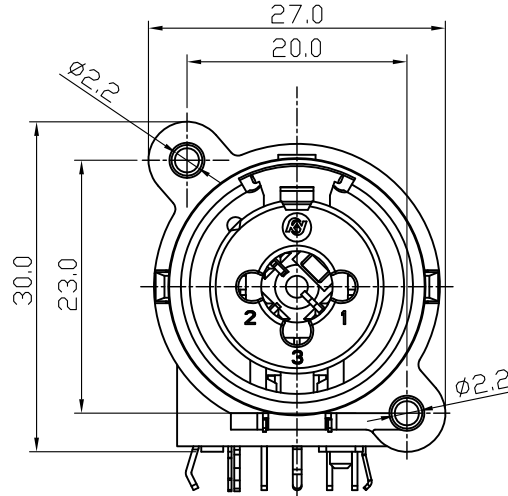
正式

變更記號	變更日期	ECN NO.	REV.	說明	擔當者
△					

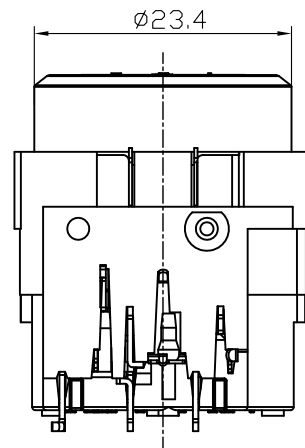
RoHS
Compliant



Panel cut out (front side)



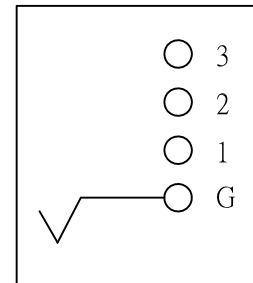
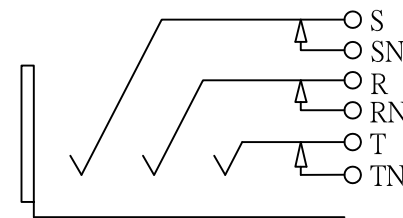
PCB-LAYOUT (component side)
(SCALE 3:1)



NORMALLING-SCHEMES

XLR

JACK- NORMALLING



11	GROUND	1	P.B.S.	Ag
10	SPRING	1	SUS	
9	XLR CONTACT	3	P.B.S.	Au
8	RING SHUNT	1	BRASS	Au
7	TIP SHUNT	1	BRASS	Au
6	SLEEVE SHUNT	1	BRASS	Au
5	RING	1	P.B.S.	Ag
4	TIP	1	P.B.S.	Ag
3	SLEEVE	1	P.B.S.	Ag
2	BACK COVER	1	NYLON	BLACK
1	BODY	1	NYLON	BLACK
NO	PART NAME	Q'TA	MATERIAL	PLATING&COLOR

UNLESS OTHERWISE SPECIFIED TOLERANCES

DECIMALS :
X : ±0.50
X.X : ±0.30
X.XX : ±0.15

ANGLES :
X° : ±5°
X.X° : ±3°



KAI YUI TECHNOLOGIC CORP.

PART NAME	6.4MM PHONE & XLR JACK			DRAWN DATE	2009.11.21
MATERIAL	PART NO : K6X01-6-3A			APPROVED	Jacky
THICKNESS	SCALE : 1.5 : 1	SIZE : A4	UNIT : mm	CHECKED	Jacky
PLATED COLOR	REV : A	SHEET : 1 of 1	DRAWN	Roy	